

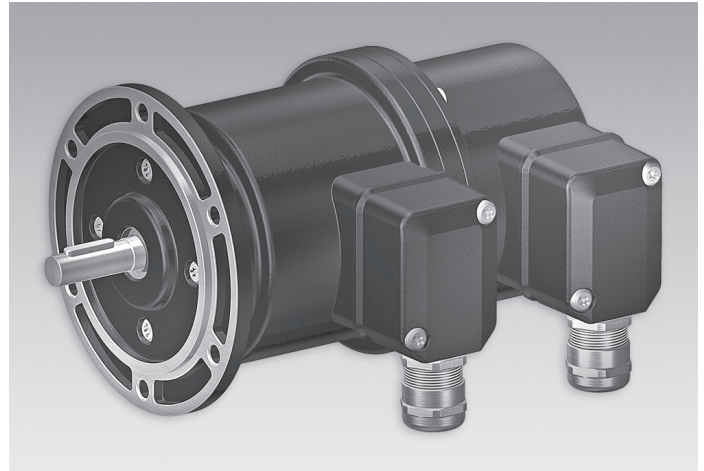
POG 9 + FSL

Encoder with integrated centrifugal switch

Solid shaft with EURO flange B10 300...5000 pulses per revolution

Overview

- TTL output driver for cable length up to 550 m
- Mechanical speed monitoring based on centrifugal force
- EURO flange B10 / solid shaft $\varnothing 11$ mm
- Terminal boxes, turn by 180°



Technical data

Technical data - electrical ratings

Interference immunity	EN 61000-6-2
Emitted interference	EN 61000-6-3
Approval	CE

Technical data - electrical ratings (encoder)

Voltage supply	9...30 VDC 5 VDC ± 5 %
Consumption w/o load	≤ 100 mA
Pulses per revolution	300 ... 5000
Phase shift	$90^\circ \pm 20^\circ$
Duty cycle	40...60 %
Reference signal	Zero pulse, width 90°
Output frequency	≤ 120 kHz ≤ 300 kHz (on request)
Output signals	K1, K2, K0 + inverted Error output (option EMS)
Output stages	HTL-P (power linedriver) TTL/RS422
Sensing method	Optical

Technical data - electrical ratings (centrifugal switch)

Switching accuracy	± 4 % ($\Delta n = 2$ rpm/s); 20 % ($\Delta n = 1500$ rpm/s)
Switching deviation	≤ 3 % (cw-ccw rotation)
Switching hysteresis	40 % of switching speed
Switching outputs	1 output, speed control
Output switching capacity	≤ 6 A / 230 VAC ≤ 1 A / 125 VDC

Optional

- Function control with EMS (Enhanced Monitoring System)

Technical data - electrical ratings (centrifugal switch)

Minimum switching current	50 mA
---------------------------	-------

Technical data - mechanical design

Size (flange)	$\varnothing 115$ mm
Shaft type	$\varnothing 11$ mm solid shaft
Admitted shaft load	≤ 250 N axial ≤ 350 N radial
Flange	EURO flange B10
Protection DIN EN 60529	IP 56
Speed (n)	$\leq 1,25 \cdot ns$
Range of switching speed (ns)	850...4500 rpm ($\Delta n = 2$ rpm/s)
Operating torque typ.	3 Ncm
Rotor moment of inertia	220 gcm ²
Material	Housing: aluminium die-cast Shaft: stainless steel
Operating temperature	-30...+100 °C -25...+100 °C (>3072 pulses)
Resistance	IEC 60068-2-6 Vibration 5 g, 10...2000 Hz IEC 60068-2-27 Shock 150 g, 1 ms
Corrosion protection	IEC 60068-2-52 Salt mist for ambient conditions C4 according to ISO 12944-2
Connection	2x terminal box
Weight approx.	1,9 kg

POG 9 + FSL

Encoder with integrated centrifugal switch

Solid shaft with EURO flange B10 300...5000 pulses per revolution

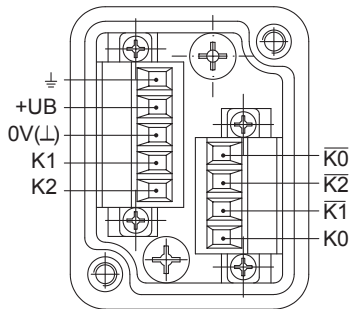
General information

The constructive design of the centrifugal switch is its use as a switch with positive break function. It must not be used as a continuous switch (switching cycles greater than 500 during service life).

Terminal assignment

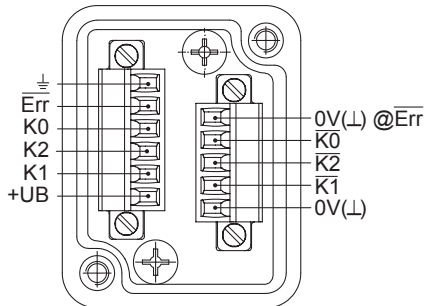
View A (see dimension)

Connecting terminal terminal box encoder



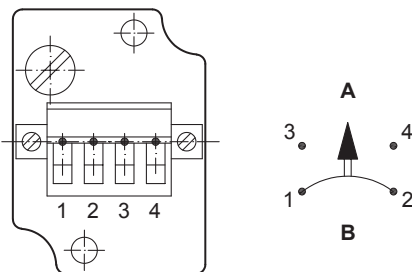
Option EMS: View A (see dimension)

Connecting terminal terminal box encoder



View B (see dimension)

Connecting terminal centrifugal switch



A = make contact, **B** = break contact

Terminal significance

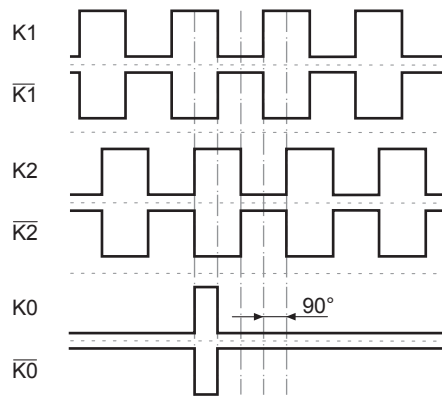
Encoder incremental

+UB	Voltage supply
0V (L)	Ground
⊥	Earth ground (housing)
K1	Output signal channel 1
K1̄	Output signal channel 1 inverted
K2	Output signal channel 2 (offset by 90° to channel 1)
K2̄	Output signal channel 2 inverted
K0	Zero pulse (reference signal)
K0̄	Zero pulse inverted
Err	Error output (option EMS)

Output signals

HTL/TTL

At positive rotating direction (see dimension)



Option EMS (Enhanced Monitoring System): Status LED / error output

Flash light red*	Error of signal sequence, zero pulse or pulses (Error output = HIGH-LOW alternation)
Red	Overload output transistors (Error output = LOW)
Flash light green	Device o.k., rotating (Error output = HIGH)
Green	Device o.k., stopped (Error output = HIGH)
No light	No voltage supply connection or wrong connection (Error output = LOW)

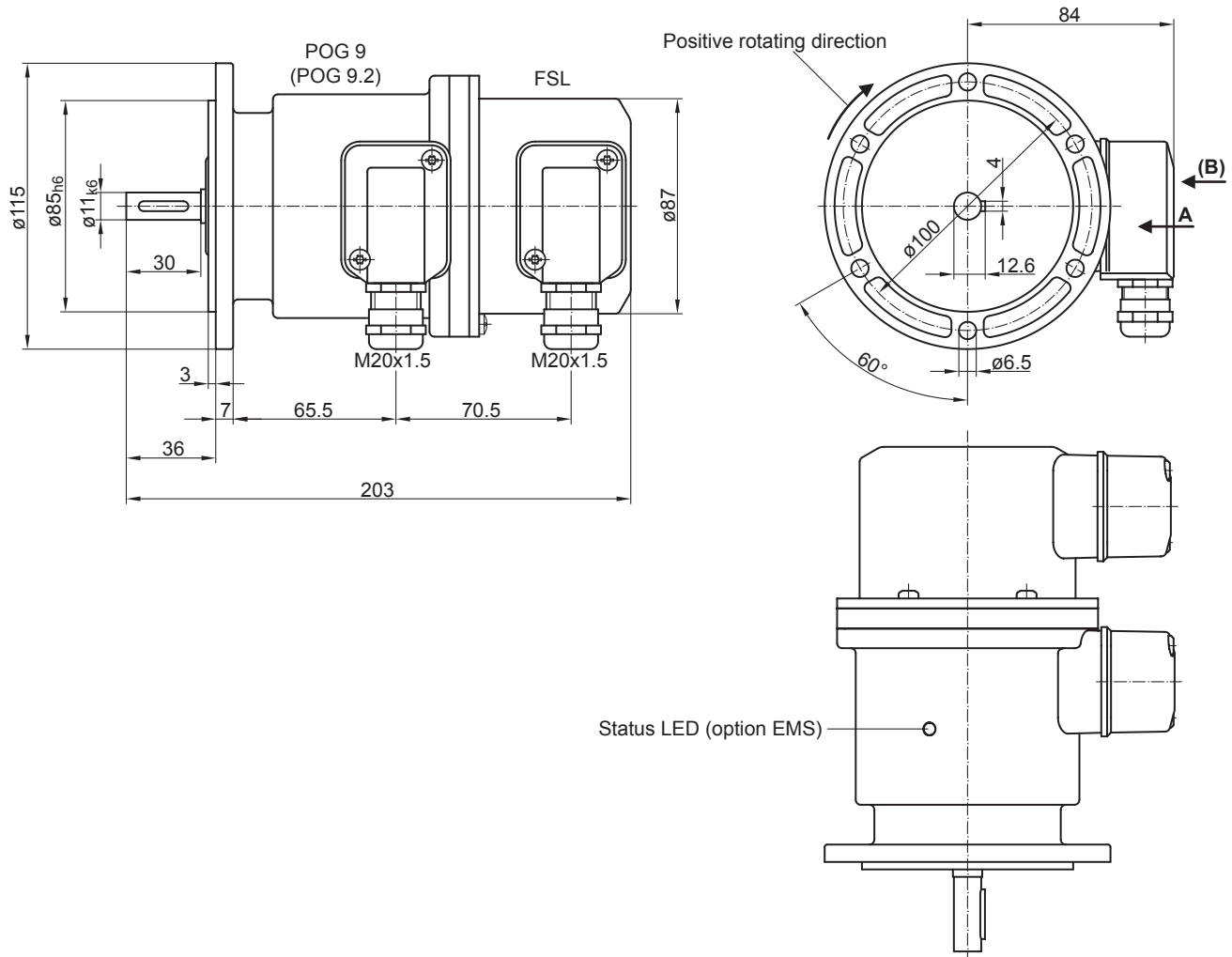
* Only at rotating device

POG 9 + FSL

Encoder with integrated centrifugal switch

Solid shaft with EURO flange B10 300...5000 pulses per revolution

Dimensions



POG 9 + FSL

Encoder with integrated centrifugal switch

Solid shaft with EURO flange B10 300...5000 pulses per revolution

Ordering reference

	POG9	##	DN	####	###	+ FSL	#####
Product							
Incremental encoder + Centrifugal switch	POG9						
EMS - Enhanced Monitoring System							
Without EMS							
With EMS		.2					
Output signals							
K1, K2, K0			DN				
Pulse number⁽¹⁾							
300				300			
500				500			
512				512			
1000				1000			
1024				1024			
1200				1200			
2048				2048			
2500				2500			
3072				3072			
4096				4096			
5000				5000			
Voltage supply / output stage							
9...30 VDC / output stage HTL with inverted signals						I	
5 VDC / output stage TTL with inverted signals						TTL	
9...30 VDC / output stage TTL with inverted signals						R	
Version speed switch							
Mechanical centrifugal switch							+ FSL
Switching speed (ns)							
850...949 rpm ($\Delta n = 2$ rpm/s) ⁽²⁾							6 ...
950...1099 rpm ($\Delta n = 2$ rpm/s) ⁽²⁾							5 ...
1100...1299 rpm ($\Delta n = 2$ rpm/s) ⁽²⁾							4 ...
1300...1799 rpm ($\Delta n = 2$ rpm/s) ⁽²⁾							3 ...
1800...2499 rpm ($\Delta n = 2$ rpm/s) ⁽²⁾							2 ...
2500...4500 rpm ($\Delta n = 2$ rpm/s) ⁽²⁾							1 ...

(1) Other pulse numbers on request.

(2) Please specify the exact switching speed in addition to the part number (factory setting).

Accessories

Mounting accessories

- Spring disk coupling K 35 (shaft $\varnothing 6...12$ mm)
- Spring disk coupling K 50 (shaft $\varnothing 11...16$ mm)
- Spring disk coupling K 60 (shaft $\varnothing 11...22$ mm)

Connectors and cables

- Sensor cable for encoders HEK 8

Diagnostic accessories

- 11075858 Analyzer for encoders HENQ 1100
- 11075880 Analyzer for encoders HENQ 1100 with a power pack