

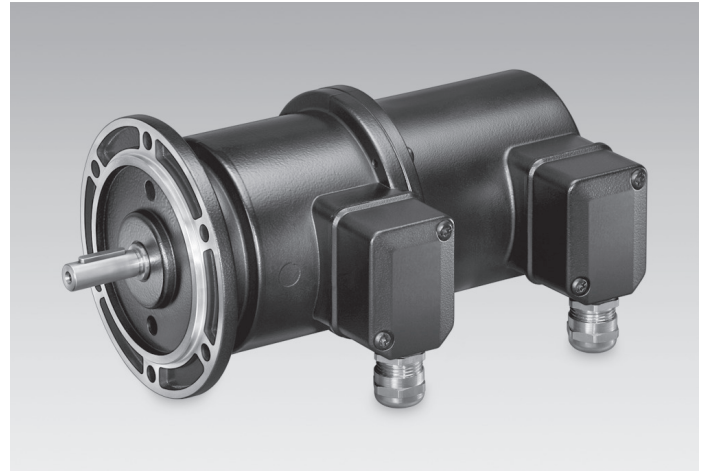
TDP 0,2 + FSL, TDPZ 0,2 + FSL

Tachogenerator/twin tachogenerator with integrated centrifugal switch

Solid shaft with EURO flange B10 or housing foot B3

Overview

- Low response time
- Open circuit voltage 10...150 mV per rpm
- EURO flange B10 or housing foot B3
- Redundant tachogenerator output (TDPZ)
- High signal quality due to patented LongLife technology
- Recognition of sense of rotation possible via control
- Mechanical speed monitoring based on centrifugal force



Technical data

Technical data - electrical ratings

Interference immunity	EN 61000-6-2
Emitted interference	EN 61000-6-3

Technical data - electrical ratings (centrifugal switch)

Switching accuracy	± 4 % ($\Delta n = 2$ rpm/s); 20 % ($\Delta n = 1500$ rpm/s)
Switching deviation	≤ 3 % (cw-ccw rotation)
Switching hysteresis	40 % of switching speed
Switching outputs	1 output, speed control
Output switching capacity	≤ 6 A / 230 VAC; ≤ 1 A / 125 VDC
Minimum switching current	50 mA

Technical data - electrical ratings (tachogenerator)

Reversal tolerance	≤ 0,1 %
Linearity tolerance	≤ 0,15 %
Temperature coefficient	± 0,05 %/K (open-circuit)
Isolation class	B
Calibration tolerance	± 1 %
Climatic test	Humid heat, constant (IEC 60068-2-3, Ca)
Performance	TDP: 12 W (speed ≥ 3000 rpm) TDPZ: 2x 3 W (speed ≥ 3000 rpm)
Armature-circuit time-constant	< 75 μs (TDP) < 40 μs (TDPZ)
Open-circuit voltage	TDP: 10...150 mV per rpm TDPZ: 20...100 mV per rpm

Technical data - mechanical design

Size (flange)	ø115 mm
Shaft type	ø11 mm solid shaft
Admitted shaft load	≤ 60 N axial ≤ 80 N radial
Flange	EURO flange B10 Housing foot B3
Protection DIN EN 60529	IP 55
Speed (n)	≤ 1,25 · ns
Range of switching speed (ns)	850...4500 rpm ($\Delta n = 2$ rpm/s)
Torque	1,5 Ncm
Rotor moment of inertia	1,4 kgcm ² (TDP) 1,5 kgcm ² (TDPZ)
Material	Housing: aluminium die-cast Shaft: stainless steel
Operating temperature	-30...+130 °C
Resistance	IEC 60068-2-6 Vibration 5 g, 10...2000 Hz IEC 60068-2-27 Shock 150 g, 1 ms
Connection	2x terminal box
Weight approx.	3,1 kg (TDP) 3,5 kg (TDPZ)
Approval	CE

TDP 0,2 + FSL, TDPZ 0,2 + FSL

Tachogenerator/twin tachogenerator with integrated centrifugal switch
Solid shaft with EURO flange B10 or housing foot B3

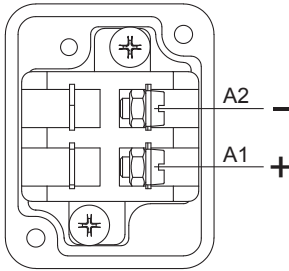
General information

The constructive design of the centrifugal switch is its use as a switch with positive break function. It must not be used as a continuous switch (switching cycles greater than 500 during service life).

Terminal assignment

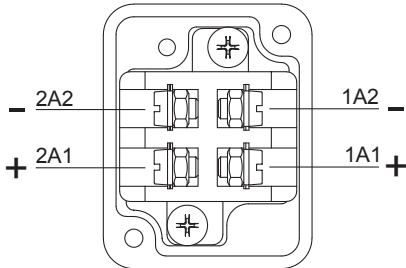
View A (see dimension)

Connecting terminal tachogenerator TDP
Polarity for positive rotating direction



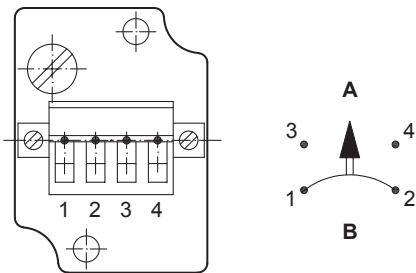
View A (see dimension)

Connecting terminal twin tachogenerator TDPZ
Polarity for positive rotating direction



View B (see dimension)

Connecting terminal centrifugal switch



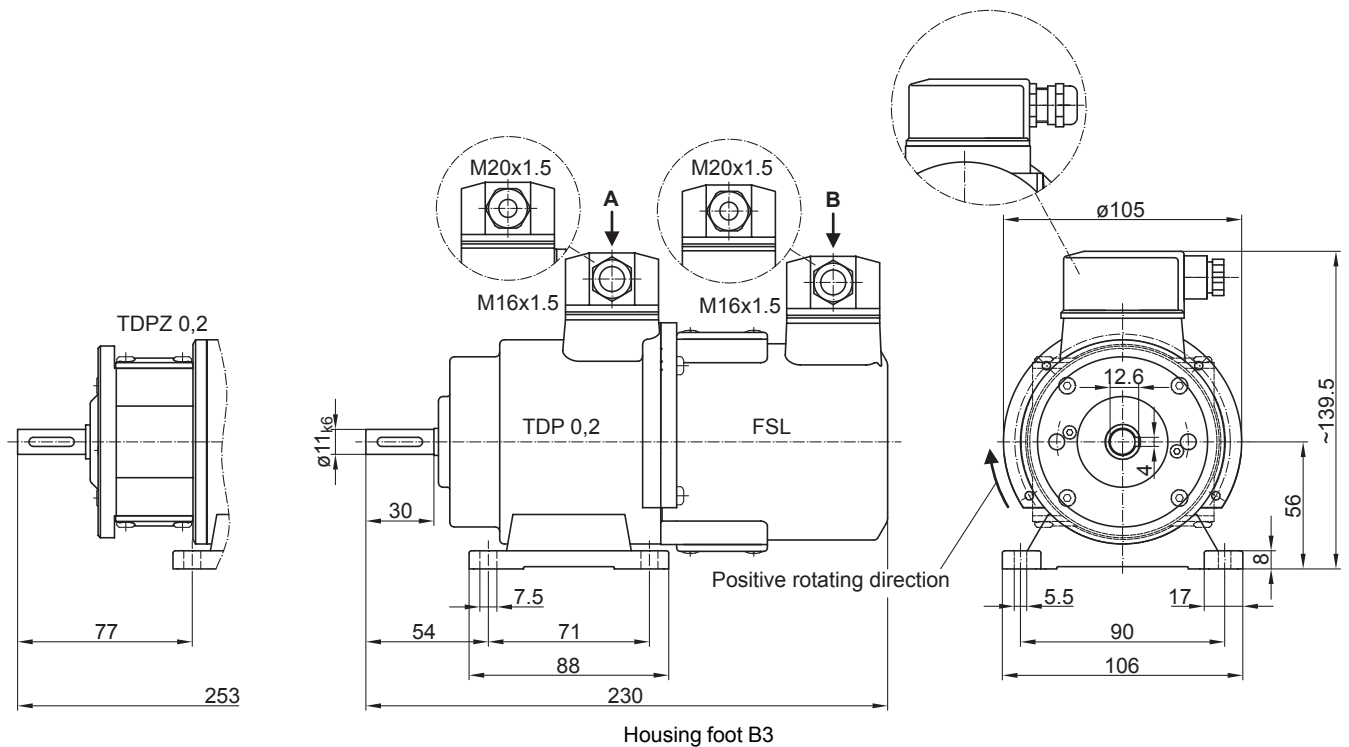
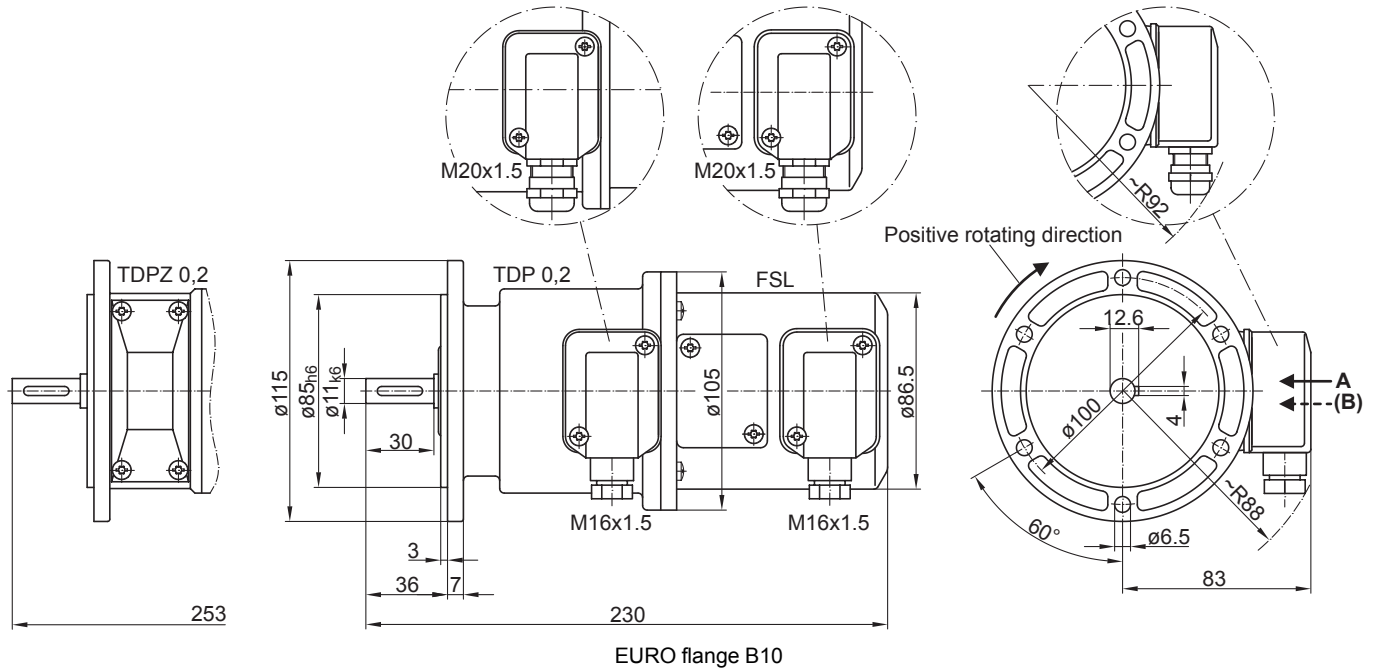
A = make contact, **B** = break contact

TDP 0,2 + FSL, TDPZ 0,2 + FSL

Tachogenerator/twin tachogenerator with integrated centrifugal switch

Solid shaft with EURO flange B10 or housing foot B3

Dimensions



TDP 0,2 + FSL, TDPZ 0,2 + FSL

Tachogenerator/twin tachogenerator with integrated centrifugal switch

Solid shaft with EURO flange B10 or housing foot B3

Ordering reference

	TDP #	#####	#####	+ FSL	#####
Product	TDP				
Tachogenerator + centrifugal switch					
Design					
Tachogenerator					
Twin tachogenerator	Z				
Open-circuit voltage					
10 mV per rpm (not available for TDPZ)		0,2LT-6			
20 mV per rpm		0,2LT-7			
30 mV per rpm		0,2LT-10			
40 mV per rpm		0,2LT-5			
60 mV per rpm		0,2LT-4			
100 mV per rpm		0,2LT-3			
150 mV per rpm (not available for TDPZ)		0,2LT-1			
Mounting type					
EURO flange B10				B10	
Housing foot B3				B3	
Version speed switch					
Mechanical centrifugal switch				+ FSL	
Switching speed (ns)					
850...949 rpm ($\Delta n = 2$ rpm/s) ⁽¹⁾					6 ...
950...1099 rpm ($\Delta n = 2$ rpm/s) ⁽¹⁾					5 ...
1100...1299 rpm ($\Delta n = 2$ rpm/s) ⁽¹⁾					4 ...
1300...1799 rpm ($\Delta n = 2$ rpm/s) ⁽¹⁾					3 ...
1800...2499 rpm ($\Delta n = 2$ rpm/s) ⁽¹⁾					2 ...
2500...4500 rpm ($\Delta n = 2$ rpm/s) ⁽¹⁾					1 ...

(1) Please specify the exact switching speed in addition to the part number (factory setting).

Data according to type

Type	Open-circuit voltage U_o [mV/rpm]	Minimum load required depending on speed range [rpm]			Maximum operating speed n_{max} [rpm]	Armature resistance R_A (20°C) [Ω]	Armature inductance L_A [mH]
		0-3000 R_L [kΩ]	0-6000 R_L [kΩ]	0- n_{max} R_L [kΩ]			
TDP0,2 LT-6	10	≥0.1	≥0.3	≥0.9	10000	3	6
TDP0,2 LT-7	20	≥0.3	≥1.2	≥3.3	10000	11	23
TDP0,2 LT-10	30	≥0.7	≥2.7	≥7.5	10000	26	50
TDP0,2 LT-5	40	≥1.2	≥5	≥13.5	10000	47	90
TDP0,2 LT-4	60	≥2.7	≥11	≥30	10000	99	200
TDP0,2 LT-3	100	≥7.5	≥30	≥30	6000	271	550
TDP0,2 LT-1	150	≥16	---	≥30	4000	630	1260

 Twin tachogenerator with redundant output
 (The data refer to each of the two tachogenerator outputs)

TDPZ0,2 LT-7	20	≥1.2	≥4.8	≥14	10000	19	45
TDPZ0,2 LT-10	30	≥2.7	≥11	≥30	10000	42	103
TDPZ0,2 LT-5	40	≥4.8	≥20	≥54	10000	70	170
TDPZ0,2 LT-4	60	≥11	≥44	≥120	10000	160	390
TDPZ0,2 LT-3	100	≥30	≥120	---	6000	445	1080

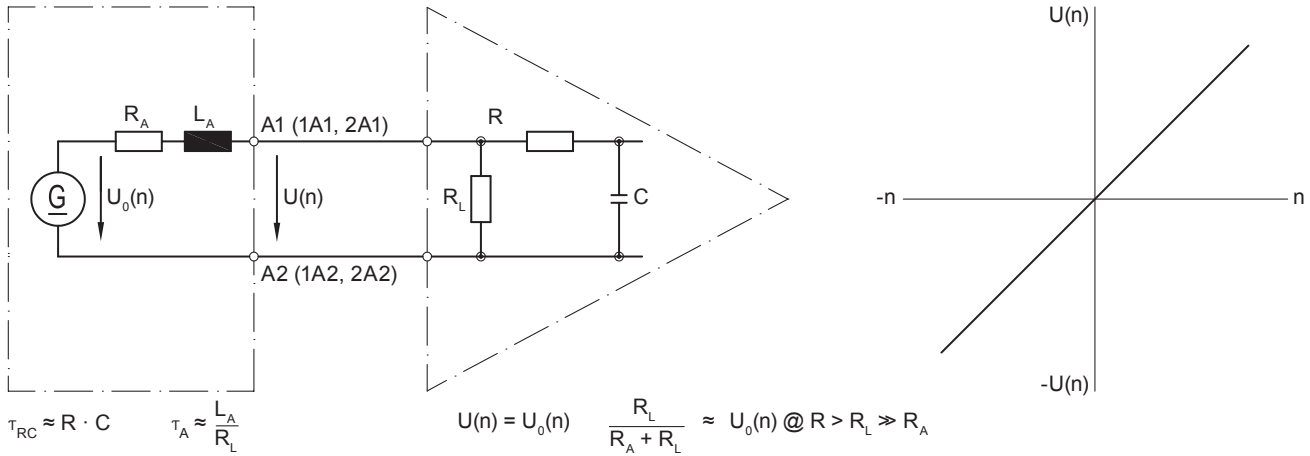
 Superimposed ripple (for $\tau_{RC} = 0.7$ ms): ≤0.5% (peak-peak) ≤0.2% (rms)

TDP 0,2 + FSL, TDPZ 0,2 + FSL

Tachogenerator/twin tachogenerator with integrated centrifugal switch
Solid shaft with EURO flange B10 or housing foot B3

Replacement switching diagram

Tachogenerator



Polarity for positive rotating direction (see dimension) / A1 (1A1, 2A1): + (VDE) / A2 (1A2, 2A2): - (VDE)

Accessories

Mounting accessories

- Spring disk coupling K 35 (shaft $\varnothing 6 \dots 12$ mm)
- Spring disk coupling K 50 (shaft $\varnothing 11 \dots 16$ mm)
- Spring disk coupling K 60 (shaft $\varnothing 11 \dots 22$ mm)

Spare parts

- Carbon brushes (on request)