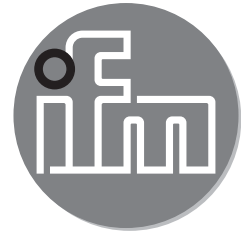


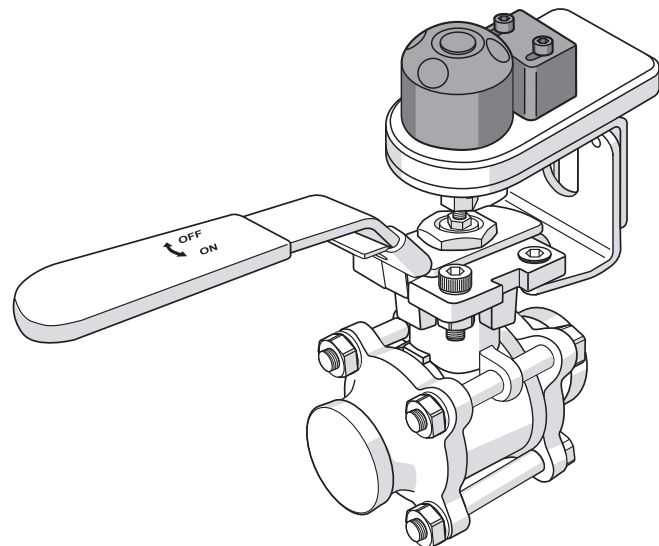
ifm electronic



Installation instructions
Mounting set
E125xx

UK

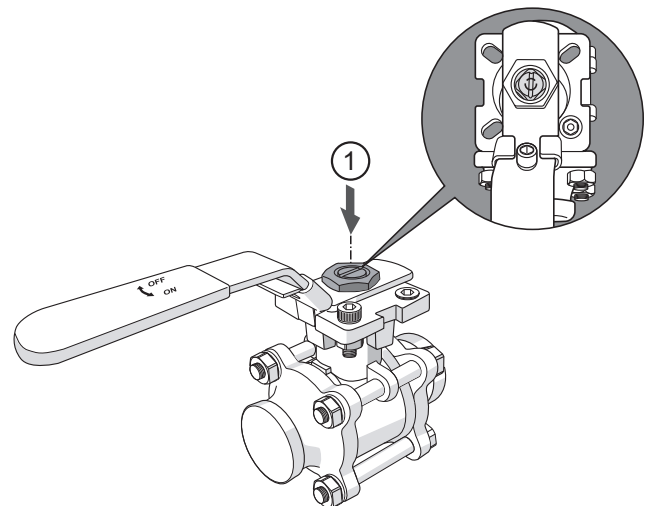
80257071/00 08/2016



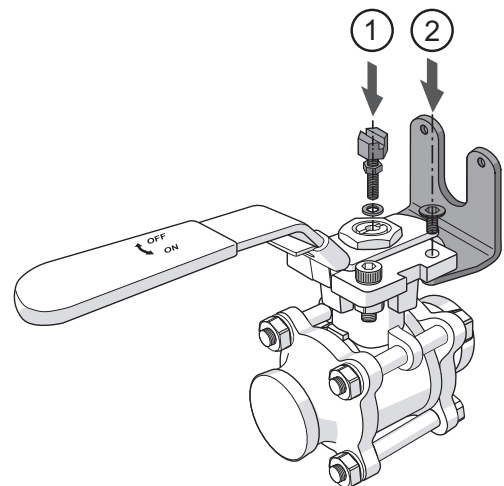
Installation

Preparation for installation

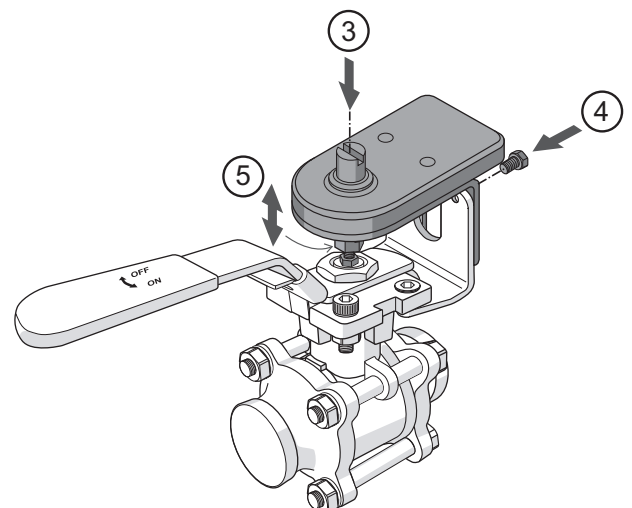
- ▶ Drill a hole into the centre of the manual valve in the direction of the arrow, to fit the shaft extension as shown (1).
- ▶ Tap the hole.
- ▶ Shorten extension to the length required.



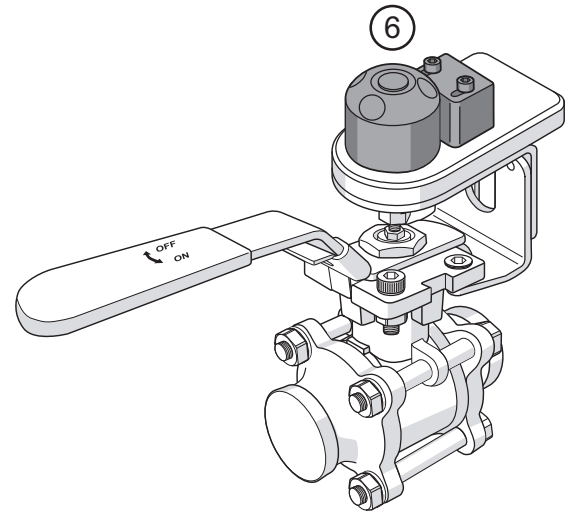
- ▶ Attach the supplied lock nut and screw into the valve (1).
- ▶ Mount the angled lower part to the valve (2).



- ▶ Fix the upper part to the lower part using the M6 x 10 screws, using the serrated washer.
- ▶ Adjust the height position to fasten the upper part. This can be done in steps of 10 mm (3 and 4).
- ▶ Adjust the shaft to the height of the upper bridge part, then turn the self-locking nut downward to fix the hand lever (5).



► Mount the sensor to the mounting plate and the switching cam (puck) to the shaft (6).



► Perform a visual and function check.