

ifm electronic



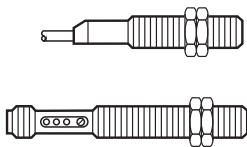
Installation instructions  
Retro-reflective sensor

**efector200**

OF

UK

701026 / 00 03 / 2011

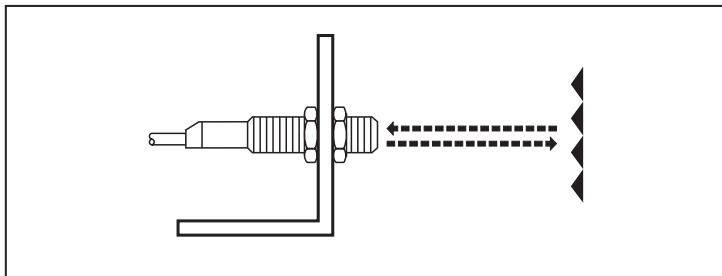


## 1 Functions and features

In conjunction with a prismatic reflector or reflective tape the retro-reflective sensor detects objects and materials without contact and indicates their presence by a switched signal.

Range: OFR...: 2 m; OFP... (retro-reflective sensor with polarisation filter): 800 mm; (values referred to prismatic reflector with  $\varnothing$  80 mm).

## 2 Installation



Place prismatic reflector / reflective tape in desired position. Align the photocell and fasten to a mounting bracket with the lock nuts provided.

Maximum range is only achieved with precise alignment.

## 3 Electrical connection



Disconnect power before connecting the sensor.

Connection strictly to the indications on the type label.

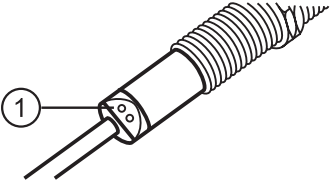
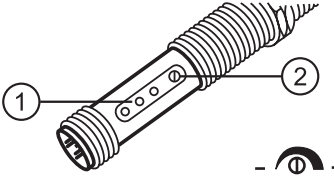
Core colours: BN = brown, BU = blue, BK = black

Programming of the output function by wiring according to type label.

Load of the function check output (fc output): max. 10 mA

## 4 Operation

Check the safe functioning of the retro-reflective sensor. Display by LEDs and (for sensors with plug and socket connection) by the function-check output.

sensor with cable	sensor with plug
	
1: LEDs 2: setting potentiometer sensitivity	

UK

### Sensor with cable

LED green	supply voltage O.K.
LED yellow	output switched flashing, 3 Hz: output short-circuited flashing, 1 Hz: internal malfunction (output is not switched)

### Sensor with plug

LED green	supply voltage O.K.
LED yellow	output switched
LED red	error in object detection, e.g. maladjustment, soiling of the lenses
LED yellow + red	flashing alternately, 3 Hz: output short-circuited flashing alternately, 1 Hz: internal malfunction (output is not switched)

## 5 Maintenance

Keep the lens of the sensor free from soiling.