
Operation manual



Precautions

- The maximum allowable voltage of the sensor is 10% of the rated voltage, Please confirm that the supply voltage is less than the maximum allowable value before powering on
- The time from powering-on to normal detection of the sensor is 100ms, please ensure that the sensor is used after 100ms of powering-on
- When using different power sources for the sensor and load, be sure to turn on the power of the sensor first
- When the sensor is not used, it is recommended to cut off the power of the load first and then turn off the power of the sensor
- When installing the sensor, do not subject the sensor to severe external force (such as hammering, etc.), which may damage the sensor performance
- Avoid using thinner, alcohol or other organic solvents when cleaning

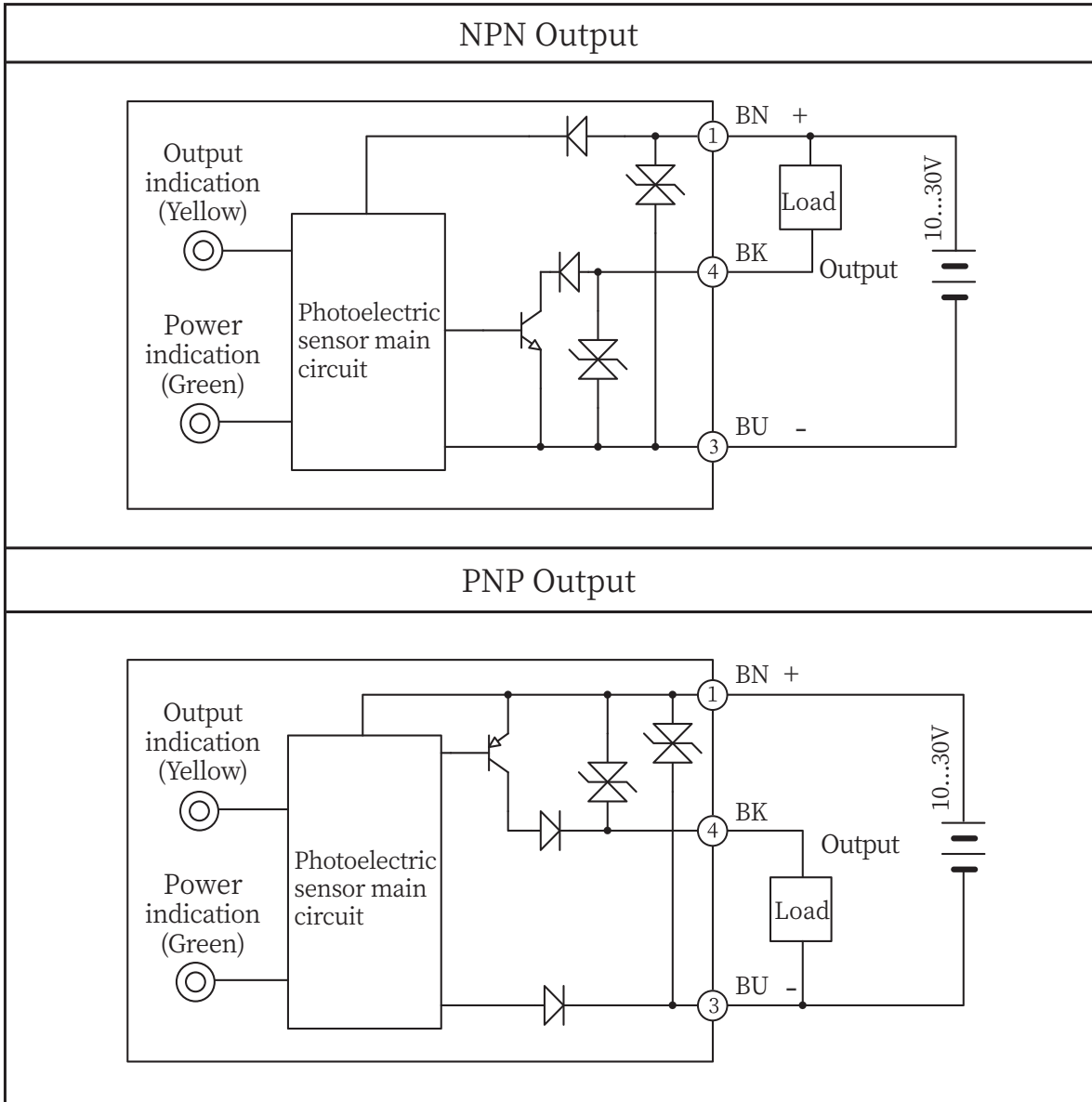
Safety Warning

- Do not use in an environment with flammable, explosive or corrosive gases
- Do not use in oil or chemical environments
- Do not use in a high humidity environment
- Do not use in direct sunlight
- Do not use in other environmental conditions that exceed the rated value
- Do not disassemble, repair or modify this product without authorization

Scrap Treatment

- When the product is scrapped, please dispose of it as industrial waste

■ Terminal Wiring Diagram



■ Technical specifications

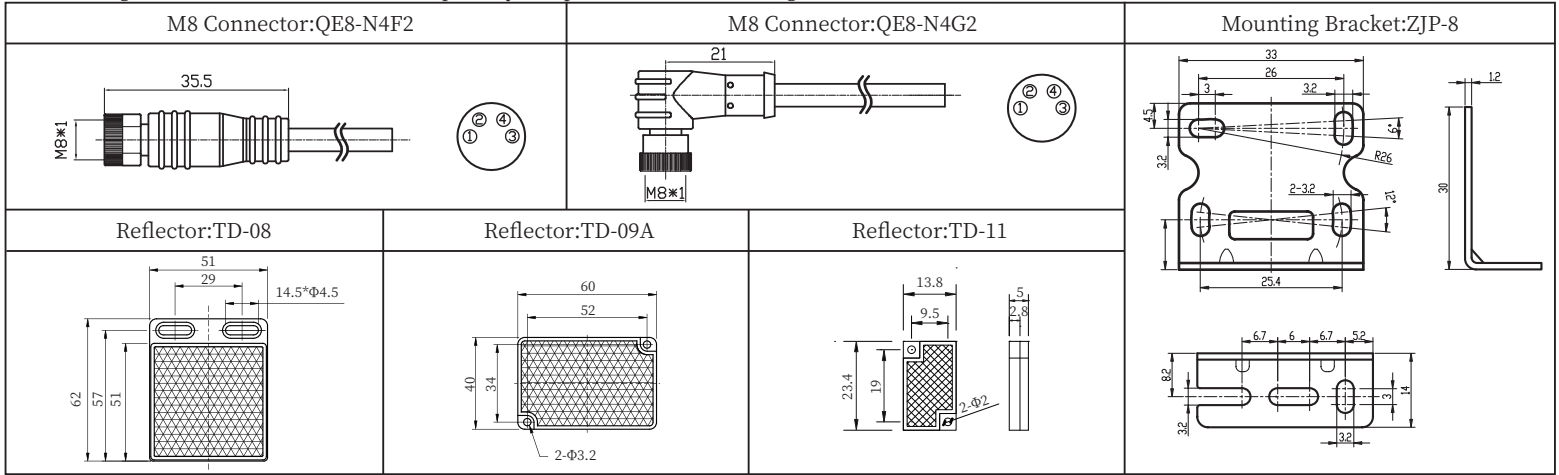
Type		Transparent bottle detection			
Model	NPN	PSE-GM2DNBB	PSE-GM2DNBB-E3	PSE-GC50DNBB	PSE-GC50DNBB-E3
	PNP	PSE-GM2DPBB	PSE-GM2DPBB-E3	PSE-GC50DPBB	PSE-GC50DPBB-E3
Detection distance		2m ^①		50cm ^②	
Light spot size		≤60mm@2m		≤14mm@0.5m	
Supply voltage		10...30VDC(Ripple P-P <10%)			
Consumption current		<25mA			
Load current		200mA			
Voltage drop		≤1.5V			
Light source		Blue light(460nm)			
Protection circuit		Short circuit protection、Polarity protection、Overload protection			
Indicator		Green:Power indicator;Yellow:Output indication、Overload indication			
Response time		<0.5ms			
Distance adjustment		The product is facing the reflector,press the button for 2...5s,when the yellow and green light flash synchronously at 4Hz, and lift to finish the distance setting.If the yellow and green light flash asynchronously at 8Hz, setting fails and the product distance goes to the maximum.			
NO/NC adjustment		Press the button for 5...8s, when the yellow and green light flash synchronously at 2Hz, finish the state switching.			
Anti ambient light		Sunshine ≤10,000Lux;Incandescent≤3,000Lux			
Operating temperature		- 25...55 °C(No condensation, no icing)			
Storage temperature		- 30...70 °C			
Vibration resistance		10...55Hz,Double amplitude 0.5mm(2.5hrs each for X、Y、Z direction)			
Impulse withsand		500m/s ² ,3 times each for X、Y、Z direction			
High pressure resistant		1000V/AC 50/60Hz 60s			
Protection degree		IP67			
Certification		CE			
Housing material		PC+ABS			
Lens		PMMA			
Weight		Connector:About 10g;Cable:About 50g			
Accessories		Mounting Bracket:ZJP-8、Operation manual、TD-09A Reflector ^① 、TD-08 Reflector ^②			

Note: ①PSE-GM detection distance of 2m corresponds to TD-09A reflector;

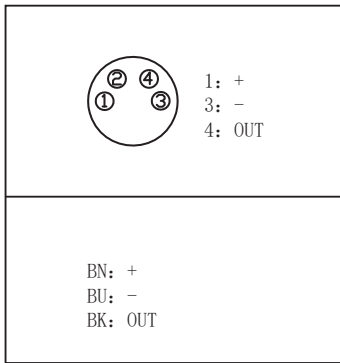
②PSE-GC detection distance of 50cm corresponds to TD-08 reflector.

■ Accessories Dimensions

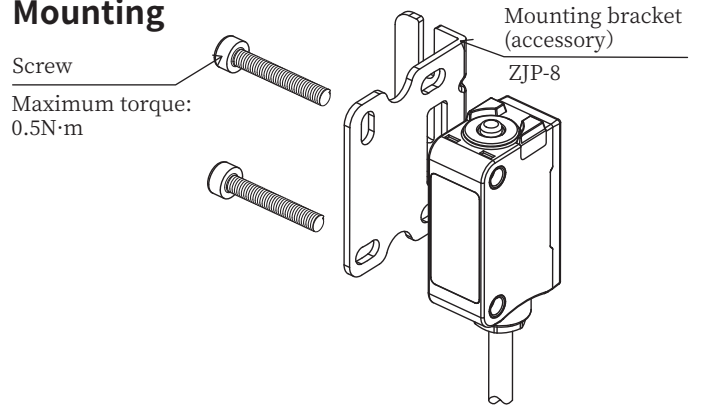
The following accessories need to be ordered separately except for the ZJP-8 mounting bracket and TD-09A (for PSE-GM series) and TD-08 (for PSE-GC series) reflectors.



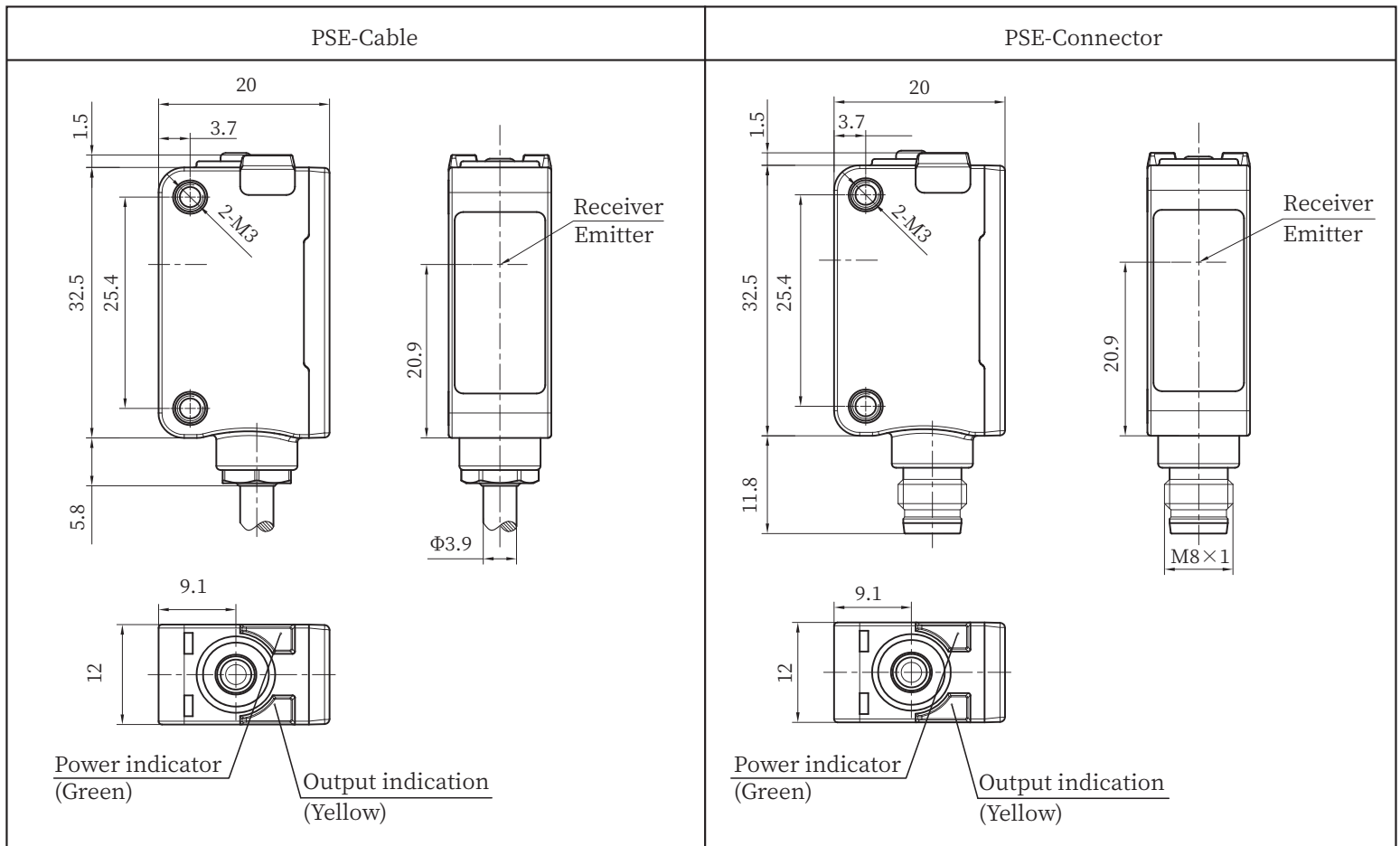
■ Wiring diagram



■ Mounting



■ Dimensions



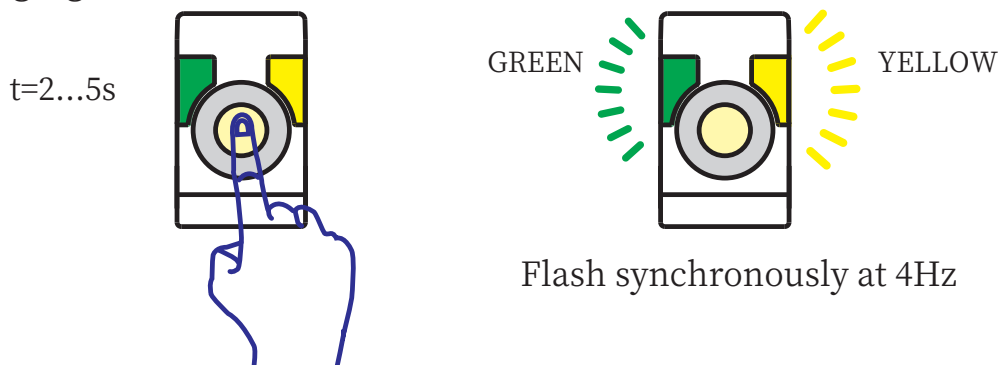
PSE-G 2021LB V2.1

This specification doesn't relate to patent responsibility. Moreover, our company is always devoting to improving product quality, and reserves the right to improve products by changing pattern or size without prior notice. We have considered all the notes when compiling this specification, but for the wrong or clipped parts, and any loss caused by using this manual information, we bear no responsibility.

Shanghai Lanbao Sensing Technology Co.,Ltd.
 Address: No 228, Jinbi Road, Jinhui Industrial Park, Fengxian Area, Shanghai, China
 Zip code: 201404
 TEL: 021-57486188 57486181
 FAX: 021-57486199
 Email: market@shlanbao.cn
 Hotline: 800-820-8259

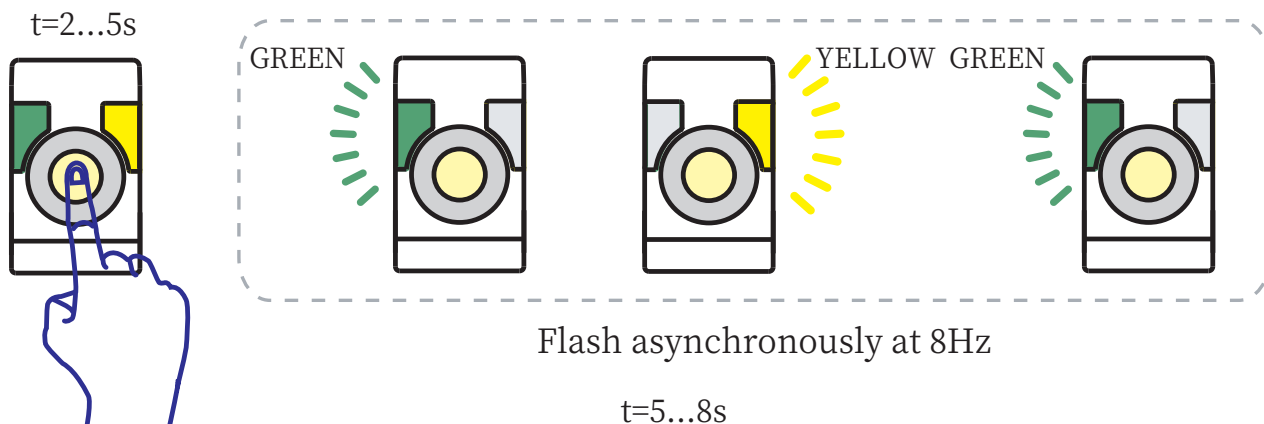
■ Button instruction

1. Press the button for the duration time "t", if $t < 2s$ or $t \geq 8s$, the setting is invalid, NO/NC maintains in the original state, and the product distance maintains the original;
2. Put the product in face to the reflector, and press the button for the duration "t", if $2s \leq t < 5s$, the yellow and green lights flash synchronously at 4 Hz, when the button is released to finish distance setting, as shown in the following figure:



Note: For distancing setting, if the distance between the sensing object and the sensor exceeds the detection ability of the product, in duration $2s \leq t < 5s$, the yellow and green lights flash synchronously at 4Hz, when the button is released to finish the distance setting but not successfully.

If the yellow and green lights flash asynchronously at 8 Hz, meaning that the product distance setting fails, and the product distance is automatically set to the maximum value, as shown in the following figure:



3. Press the button for the duration "t", if $5s \leq t < 8s$, the yellow and green lights flash synchronously at 2 Hz, when the button is released to finish NO/NC state switchover .

