

Absolute encoders - SSI

Solid shaft with synchro flange

Magnetic single- or multiturn encoders 14 bit ST / 18 bit MT

EAM580-SY - SSI - MAGRES



EAM580-SY with synchro flange

Features

- Encoder single- or multiturn / SSI
- Precise magnetic sensing
- Resolution max. 32 bit (14 bit ST, 18 bit MT)
- Angular accuracy up to $\pm 0.15^\circ$
- Additional incremental signals
- High protection up to IP 67
- High resistance to shock and vibrations

Optional

- Protection against corrosion C5-M

Technical data - electrical ratings

Voltage supply	4.5...30 VDC (SSI, SSI + TTL/ RS422) 5.5...30 VDC (SSI + HTL/ Push-pull)
Consumption typ.	60 mA (5 VDC, w/o load) 20 mA (24 VDC, w/o load)
Initializing time	≤ 170 ms after power on
Data currency	Typ. 2 μ s (cyclic request)
Interfaces	SSI, SSI + incremental
Function	Multiturn, Singleturn
Operating mode	Linear feedback shift register (on request)
Steps per revolution	≤ 16384 / 14 bit
Number of revolutions	≤ 262144 / 18 bit
Absolute accuracy	$\pm 0.15^\circ$ (+20 $\pm 15^\circ$ C) $\pm 0.25^\circ$ (-40...+85 $^\circ$ C)
Sensing method	Magnetic
Code	Gray or binary
Code sequence	CW: ascending values with clockwise sense of rotation; looking at flange
Inputs	SSI clock: Linereceiver RS422 Zero setting input Counting direction
Output stages	SSI data: Linedriver RS422 Incremental: linedriver RS422 or push-pull (option)
Incremental output	1024, 2048, 4096 ppr (other on request)
Output signals	A+, A-, B+, B-
Output frequency	≤ 350 kHz
Interference immunity	DIN EN 61000-6-2
Emitted interference	DIN EN 61000-6-4
Diagnostic function	DATAVALID (on request)

Technical data - mechanical design

Size (flange)	$\varnothing 58$ mm
Shaft type	$\varnothing 6 \times 10$ mm, solid shaft with flat
Flange	Synchro flange
Protection DIN EN 60529	IP 65 (without shaft seal), IP 67 (with shaft seal)
Operating speed	≤ 6000 rpm
Starting torque	≤ 2 Ncm (+20 $^\circ$ C, IP 65) ≤ 2.5 Ncm (+20 $^\circ$ C, IP 67)
Moment of inertia	15.38 gcm ²
Admitted shaft load	≤ 40 N axial ≤ 80 N radial
Materials	Housing: steel zinc-coated Flange: aluminium Shaft: stainless steel
Operating temperature	-40...+85 $^\circ$ C (see general information)
Relative humidity	95 %
Resistance	DIN EN 60068-2-6 Vibration 30 g, 10-2000 Hz DIN EN 60068-2-27 Shock 500 g, 1 ms
Weight approx.	250 g
Connection	Flange connector M12, 8-pin Flange connector M12, 12-pin Flange connector M23, 12-pin Cable 2 m

Absolute encoders - SSI

Solid shaft with synchro flange
Magnetic single- or multiturn encoders 14 bit ST / 18 bit MT

EAM580-SY - SSI - MAGRES

Part number

EAM580-S **Y 6** **.A**

Resolution incremental signals

- 0 Without incremental signals
- H 4096 pulses, TTL (RS422)
- 8 2048 pulses, TTL (RS422)
- 5 1024 pulses, TTL (RS422)

Resolution multiturn

- 00 No option
- 12 12 bit
- 13 13 bit
- 16 16 bit
- 18 18 bit

Resolution singleturn

- 12 12 bit
- 13 13 bit
- 14 14 bit

Voltage supply / signals

- 4B 4.5...30 VDC / SSI binary
- 4G 4.5...30 VDC / SSI gray

Connection

- B Flange connector M12, 8-pin, radial, male contact, CCW
- K Flange connector M12, 12-pin, radial, male contact, CCW
- F Flange connector M23, 12-pin, radial, male contacts, CCW
- L Cable 2 m, radial

Protection

- 5 IP 65
- 7 IP 67

Specification solid shaft

- 6 ø6 x 10 mm, with flat

Flange

- Y Synchro flange, flute ø53 mm, M3/M4

16/8/2019 Subject to modification in technic and design. Errors and omissions excepted.

Absolute encoders - SSI

Solid shaft with synchro flange

Magnetic single- or multiturn encoders 14 bit ST / 18 bit MT

EAM580-SY - SSI - MAGRES

Accessories

Connectors and cables

10146775	Female connector M12, 8-pin, straight, without cable
11170528	Female connector M12, 8-pin, straight, shielded, 5 m cable (ESG 34FH0500GVS)
11177375	Female connector M12, 8-pin, straight, shielded, 10 m cable (ESG 34FH1000GVS)
11091511	Female connector M12, 8-pin, straight, shielded, 20 m cable
10116717	Female connector M23, 12-pin, straight, without cable
11078614	Female connector M12, 12-pin, straight, without cable
11048452	Female connector M12, 12-pin, straight, shielded, 2 m cable (ESG 34JP0200G)
11043780	Female connector M12, 12-pin, straight, shielded, 5 m cable (ESG 34JP0500G)
11048455	Female connector M12, 12-pin, straight, shielded, 10 m cable (ESG 34JP1000G)

Mounting accessories

10106004	Clamp set \varnothing 10 mm
----------	-------------------------------

General information

Self-heating interrelated to speed, protection, attachment method and ambient conditions as well electronics and supply voltage must be considered for precise thermal dimensioning. Self-heating is supposed to approximate 3 K (IP 65 protection) respectively 8 K (IP 67 protection) per 1000 rpm. Operating the encoder close to the maximum limits requires measuring the real prevailing temperature at the encoder flange.

Terminal significance

SET	Zero setting. Input for zero setting at any position. The zero setting operation is triggered by a high pulse and has to be in line with the selected direction of rotation (DIR). Impulse duration >100 ms. Connect to 0 V after zero setting for maximum interference immunity.
DIR	Counting direction input. CW HIGH - CCW LOW The input is standard on high. For maximum interference immunity connect to +Vs respectively 0 V depending on counting direction. (Version with DATAVALID does not include the counting direction input).

Absolute encoders - SSI

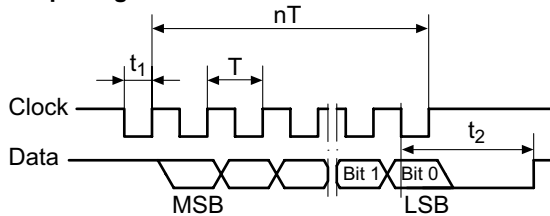
Solid shaft with synchro flange

Magnetic single- or multiturn encoders 14 bit ST / 18 bit MT

EAM580-SY - SSI - MAGRES

Data transfer

Output signal

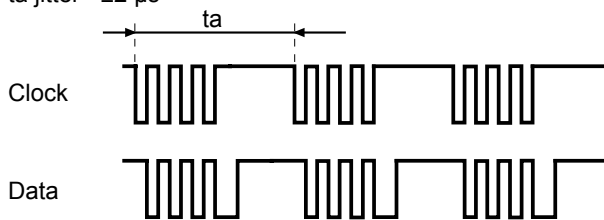


$T = 0.5 \dots 10 \mu\text{s}$ $t_1 = 0.25 \dots 5 \mu\text{s}$
 $t_2 = 20 \pm 2 \mu\text{s}$ $f_{\text{max.}} = 2 \text{ MHz}$

Data acquisition time t_a

Following timing of the SSI Masters is the requirement for a data refresh rate of typ. $2 \mu\text{s}$. If this is not fulfilled the data refresh rate is $< 50 \mu\text{s}$.

$t_a < 5000 \mu\text{s}$
 $t_a \text{ jitter} < \pm 2 \mu\text{s}$



Trigger level

Control inputs	Input circuit
Maximal	$0 \dots +V_s$
Input level Low	$< 1 \text{ V}$
Input level High	$> 2.1 \text{ V}$

RS422

Output level High	$> 2.3 \text{ V}$
Output level Low	$< 0.5 \text{ V}$
Load	$< 20 \text{ mA}$

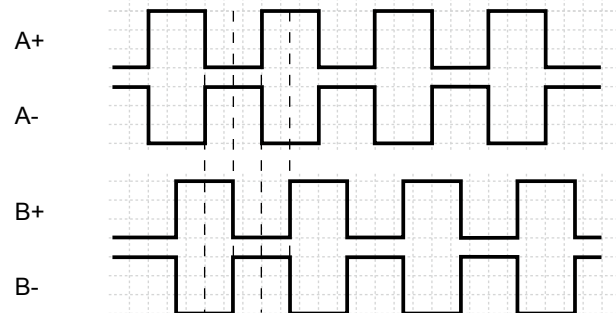
Push-pull

Output level High	$\geq +V_s - 2.2 \text{ V}$
Output level Low	$< 0.7 \text{ V}$
Load	$< 20 \text{ mA}$

Applies to standard cable lengths up to 2 m, for longer cables the voltage drop must be taken into account.

Output signals

Incremental signals: clockwise rotating direction when looking at flange.



Absolute encoders - SSI

Solid shaft with synchro flange

Magnetic single- or multiturn encoders 14 bit ST / 18 bit MT

EAM580-SY - SSI - MAGRES

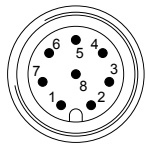
Terminal assignment

Cable / Flange connector M12, 8-pin / w/o incremental for connection reference -L and -B

Pin	Core color	Signals	Description
1	white	0 V	Supply voltage
2	brown	+Vs	Supply voltage
3	green	Clock+	Clock signal
4	yellow	Clock-	Clock signal
5	grey	Data+	Data signal
6	pink	Data-	Data signal
7	blue	SET	Zero setting input
8	red	DIR	Counting direction input

Screen connected to housing

Cable data: 4 x 2 x 0.14 mm², twisted in pairs



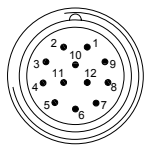
Male, A-coded

Cable / Flange connector M12, 12-pin / with incremental for connection reference -L and -K

Pin	Core color	Signals	Description
1	brown	+Vs	Supply voltage
2	blue	SET	Zero setting input
3	white	0 V	Supply voltage
4	green	Clock+	Clock signal
5	pink	Data-	Data signal
6	yellow	Clock-	Clock signal
7	black	A+	Incremental signal
8	grey	Data+	Data signal
9	red	DIR	Counting direction input
10	violet	A-	Incremental signal
11	grey/pink	B+	Incremental signal
12	red/blue	B-	Incremental signal

Screen connected to housing

Cable data: 6 x 2 x 0.14 mm², twisted in pairs



Male, A-coded

Flange connector M23, 12-pin / w/o incremental for connection reference -F

Pin	Core color	Signals	Description
1	pink	Data-	Data signal
2	–	–	–
3	blue	SET	Zero setting input
4	red	DIR	Counting direction input
5	green	Clock+	Clock signal
6	yellow	Clock-	Clock signal
7	–	–	–
8	grey	Data+	Data signal
9	–	–	–
10	white	0 V	Supply voltage
11	–	–	–
12	brown	+Vs	Supply voltage

Screen connected to housing

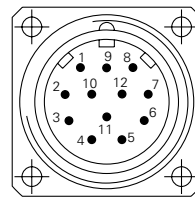
Cable data: 4 x 2 x 0.14 mm², twisted in pairs

Flange connector M23, 12-pin / with incremental for connection reference -F

Pin	Core color	Signals	Description
1	brown	+Vs	Supply voltage
2	white	0 V	Supply voltage
3	green	Clock+	Clock signal
4	grey	Data+	Data signal
5	blue	SET	Zero setting input
6	pink	Data-	Data signal
7	yellow	Clock-	Clock signal
8	red/blue	B-	Incremental signal
9	red	DIR	Counting direction input
10	violet	A-	Incremental signal
11	black	A+	Incremental signal
12	grey/pink	B+	Incremental signal

Screen connected to housing

Cable data: 6 x 2 x 0.14 mm², twisted in pairs



Absolute encoders - SSI

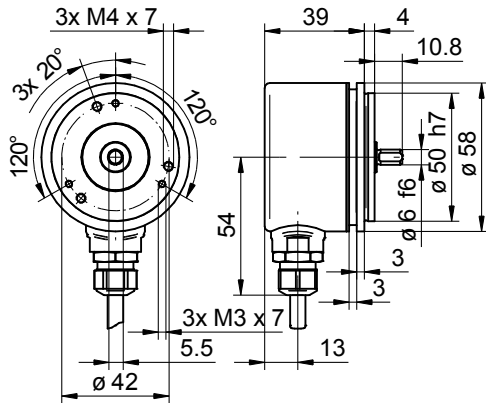
Solid shaft with synchro flange

Magnetic single- or multiturn encoders 14 bit ST / 18 bit MT

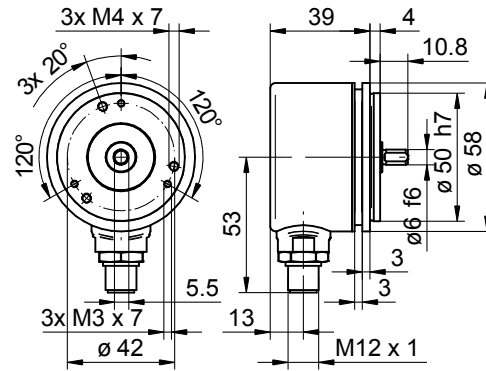
EAM580-SY - SSI - MAGRES

Dimensions

EAM580-SY with cable



EAM580-SY with flange connector M12



EAM580-SY with flange connector M23

