

**overview**

- 1,6 mm
- NPN make function (NO)
- connector M8
- -25 ... 75 °C
- IP 67



**Technical data**

**general data**

mounting type	flush
nominal sensing distance S <sub>n</sub>	1,6 mm
hysteresis	2 ... 20 % of S <sub>r</sub>
output indicator	3 port LED red

**electrical data**

switching frequency	< 3 kHz
voltage supply range +V <sub>s</sub>	10 ... 30 VDC
current consumption max. (no load)	12 mA
output circuit	NPN make function (NO)
voltage drop V <sub>d</sub>	< 2 VDC
output current	< 100 mA

**electrical data**

short circuit protection	yes
reverse polarity protection	yes

**mechanical data**

type	cylindrical threaded
material (sensing face)	LCP
housing material	stainless steel
dimension	5 mm
housing length	36 mm
connection types	connector M8
tightening torque max.	2 Nm (Front: 1,4 Nm)

**ambient conditions**

operating temperature	-25 ... +75 °C
protection class	IP 67

**remarks**

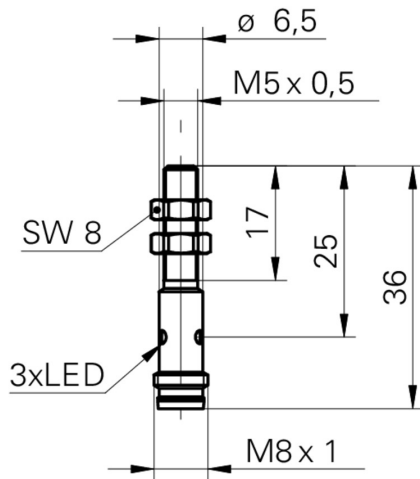
- M8 x 1 quick disconnect
- 3 port LED

# IFRM 05N17A3/S35L

Inductive proximity switch - subminiature

Article number: 11082468

## dimension drawing



## connection diagram

