

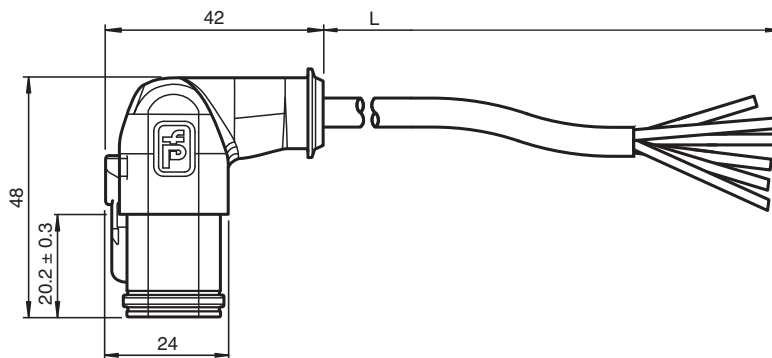
Female connector DT6S-W-BK10M-PUR/1,5

- Hard-wearing PUR cable
- Degree of protection IP68
- Free from substances that impair paint wetting
- Resistant to microbes and hydrolysis
- UV resistant
- Oil resistant
- Snap locking

Female cordset single-ended Deutsch socket angled, 6-pin, PUR cable black



Dimensions



Technical Data

General specifications

Connector 1	
Connection	socket
Construction type	Deutsch connectors
Style	right angle
Locking	Snap locking
Number of pins	6
Connector 2	
Connection	cable end

Electrical specifications

Operating voltage	U_B	max. 48 V AC / 60 V DC
Operating current	I_B	max. 8 A Per contact

Conformity

Degree of protection	EN 60529
Oil resistance	IEC 60881:404

Ambient conditions

Ambient temperature	
---------------------	--

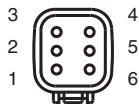
Release date: 2020-09-23 Date of issue: 2020-09-23 Filename: 70116682_eng.pdf

Refer to "General Notes Relating to Pepperl+Fuchs Product Information".

Technical Data

Plug connector		-40 ... 125 °C (-40 ... 257 °F)
Cable, fixed		-40 ... 85 °C (-40 ... 185 °F)
Cable, flexing		-25 ... 85 °C (-13 ... 185 °F)
Pollution degree		3
Mechanical specifications		
Plug connector		
Loosening protection		available
Degree of protection		IP68
Cable		according to IEC/EN 60228 (DIN VDE 0295) class 6
Sheath diameter		8.8 mm
Bending radius		> 8 x cable diameter, moving > 4 x cable diameter, fixed
Sheath stripping force		max. 50 N / 300 mm
Sheath color		black (similar to RAL 9005)
Number of cores		6
Core cross-section		1.5 mm ²
Cores color		Core 1: white Core 2: brown Core 3: blue Core 4: orange Core 5: green Core 6: black
Core construction		84 x 0.15 mm Ø
Length	L	10 m
Cable code		Li 9Y 11Y 6 x 1,5
Material		
LABS free		yes
Plug connector		
Body		PA, black
Contact surface		Ni
Flammability		V-2
Cable		
Sheathing		PUR based on polyether
Core insulation		PP
UV resistance		yes
Chemical resistance		good
Oil resistance		yes
Microbial resistance		yes
Hydrolysis resistance		yes

Connection Assignment



1)	WH
2)	BN
3)	BU
4)	OG
5)	GN
6)	BK