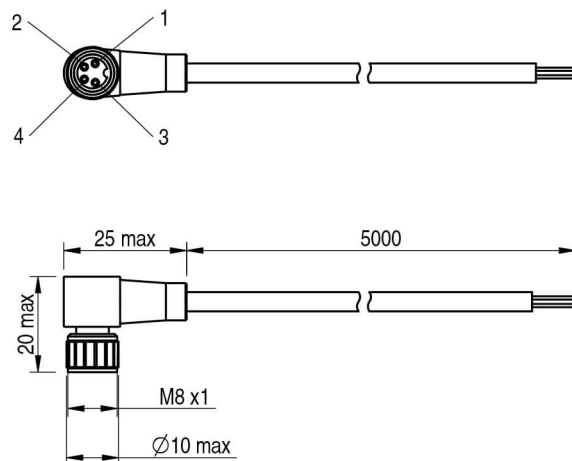




Indicative image



Electrical data

Nominal current	Max. 4 A
Led	no
Wires	4
Rated impulse voltage	0,8 kV
Nominal voltage	Max. 50Vac / 60Vdc

Mechanical data

Connections	Con terminale libero
Tightening torque	0,6 Nm
Operating temperature	-10°C...+80°C (flexible installation) -25°C...+80°C (fixed installation)
1	5
Head type	90°
Plug	M8
Outer diameter	Ø 4,7 mm ± 5%
Jacket material	PVC (CFC, cadmium, silicon, lead free) Flame retardant according to UL1581VW1/CSA FT1, self-extinguishing
Wire isolation	PVC (CFC, cadmium, silicon, lead free)
Bending radius	Wire for fixed installation: 5 x d Wire for flexible installation: 10 x d

Conductors section 0,25 mm²(14 x 0,15 mm²)

Model Femmina

Test/Approvals

Degree of protection IP67

General Data

Operating Temperature -10°C...+80°C (flexible installation) -25°C...+80°C (fixed installation)

Mechanical Protection IP67

ELECTRICAL DIAGRAMS OF THE CONNECTIONS

BN/1

WH/2

BU/3

BK/4

Datasensing S.r.l.

Strada S.Caterina, 235
41122 Modena (MO)
Tel. 059 420411
Fax 059 253973
E-mail info@datasensing.com

date of printing

29/04/2022 12:35:48