

# XU5N18PP341WL5

photo-electric sensor - XU5 - diffuse - 90° - Sn  
0.10m - 12..24VDC - cable 5m



## Main

Range of product	OsiSense XU
Series name	Application food and beverage
Electronic sensor type	Photo-electric sensor
Sensor name	XU5
Sensor design	Cylindrical M18
Detection system	Diffuse
Material	Stainless steel
Line of sight type	90° lateral
Type of output signal	Discrete
Supply circuit type	DC
Wiring technique	3-wire
Discrete output type	PNP
Discrete output function	1 NO or 1 NC programmable
Electrical connection	Cable
Cable length	5 m
Product specific application	-
Emission	Infrared diffuse
[Sn] nominal sensing distance	0.1 m diffuse

## Complementary

Enclosure material	Stainless steel : 304 CU
Lens material	PMMA
Maximum sensing distance	0.15 m
Output type	Solid state
Add on output	Without
Add on input	Programmation
Cable composition	4 x 0.34 mm <sup>2</sup>
Wire insulation material	PvR
Cable outer diameter	4.2 mm
Status LED	1 LED (green) for supply on 1 LED (yellow) for output state
[Us] rated supply voltage	12...24 V DC with reverse polarity protection
Supply voltage limits	10...30 V DC
Switching capacity in mA	<= 100 mA (overload and short-circuit protection)
Switching frequency	<= 500 Hz
Maximum voltage drop	<1.5 V (closed state)
Current consumption	<= 30 mA no-load
Maximum delay first up	15 ms
Maximum delay response	1 ms
Maximum delay recovery	1 ms
Setting-up	Without sensitivity adjustment
Diameter	18 mm
Length	78 mm

The information provided in this documentation contains general descriptions and/or technical characteristics of the performance of the products contained herein. This documentation is not intended as a substitute for and is not to be used for determining suitability or reliability of these products for specific user applications. It is the duty of any such user or integrator to perform the appropriate and complete risk analysis, evaluation and testing of the products with respect to the relevant specific application or use thereof. Neither Schneider Electric Industries SAS nor any of its affiliates or subsidiaries shall be responsible or liable for misuse of the information contained herein.

## Environment

Product certifications	CE CSA UL
Ambient air temperature for operation	-25...55 °C
Ambient air temperature for storage	-40...70 °C
Vibration resistance	25 gn, amplitude = +/- 1.5 mm (f = 10...55 Hz) conforming to IEC 60068-2-6
Shock resistance	30 gn (duration = 11 ms) conforming to IEC 60068-2-27
IP degree of protection	IP67 conforming to IEC 60529

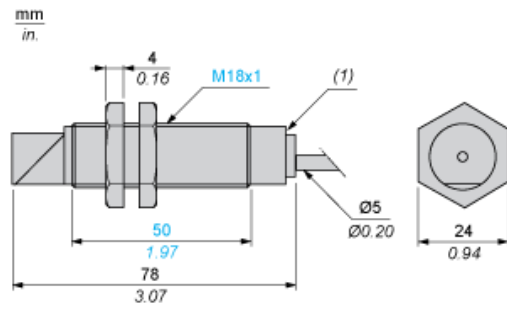
## Packing Units

Package 1 Weight	0.285 kg
Package 1 Height	1.300 dm
Package 1 width	0.660 dm
Package 1 Length	0.940 dm

## Contractual warranty

Warranty	18 months
----------	-----------

Dimensions



(1) LED

---

Mounting and Clearance

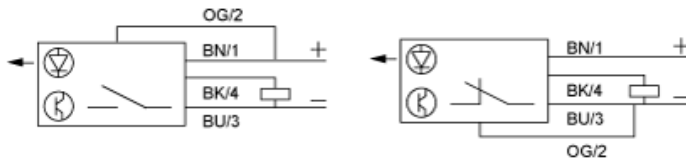
---

Fixing nut tightening torque: < 15 N.m

Connector tightening torque: 2 N.m

## Wiring Schemes

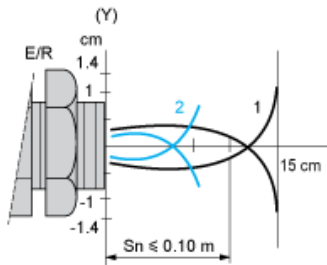
### 3-wire, PNP NO or NC Programmable Function



BN : Brown  
BK : Black (out / output)  
BU : Blue  
OG : Orange (program)

Detection Curves

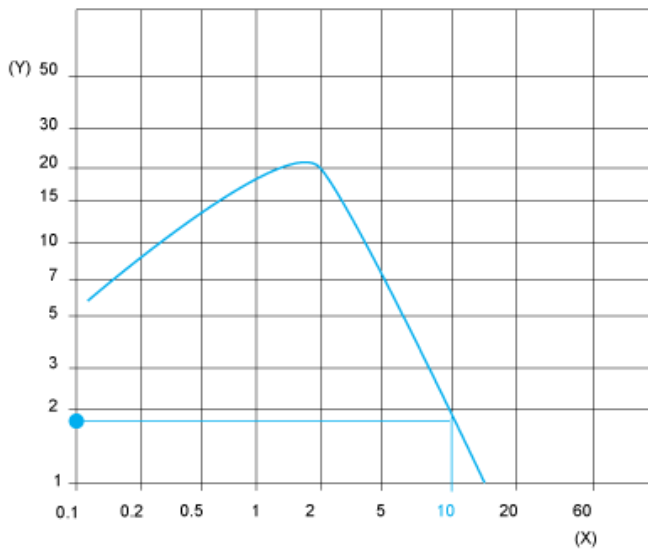
Diffuse System



(y)  $\varnothing$  of beam  
1 : White 90%  
2 : Grey 18%  
Object 10 x 10 cm

Excess Gain Curves (Ambient Temperature: + 25° C)

Diffuse System



(y) Gain  
(x) Distance (m)  
Object 10 x 10 cm  
White 90%